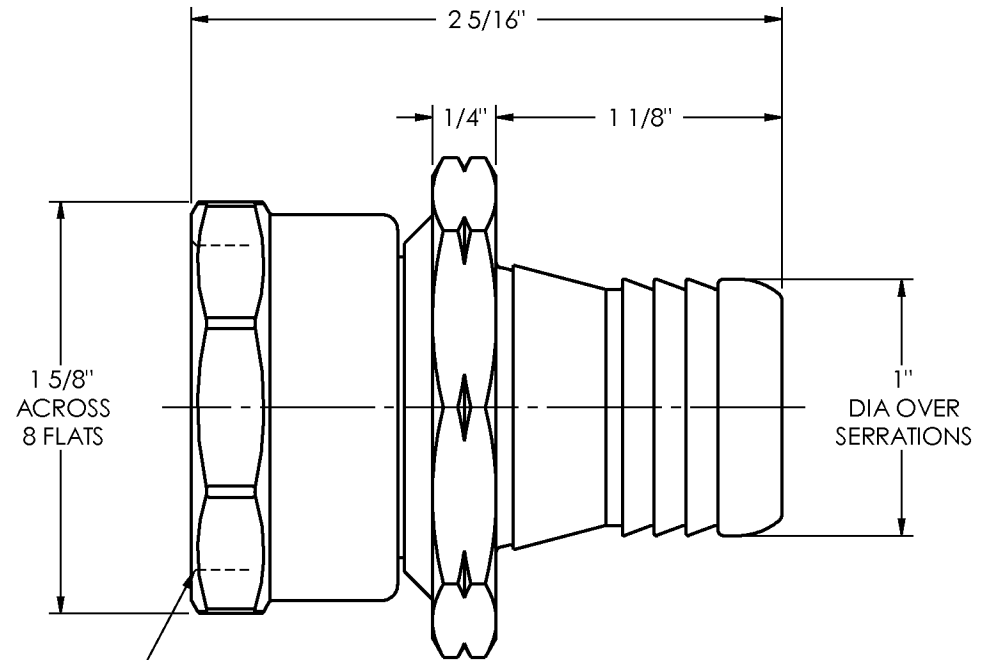
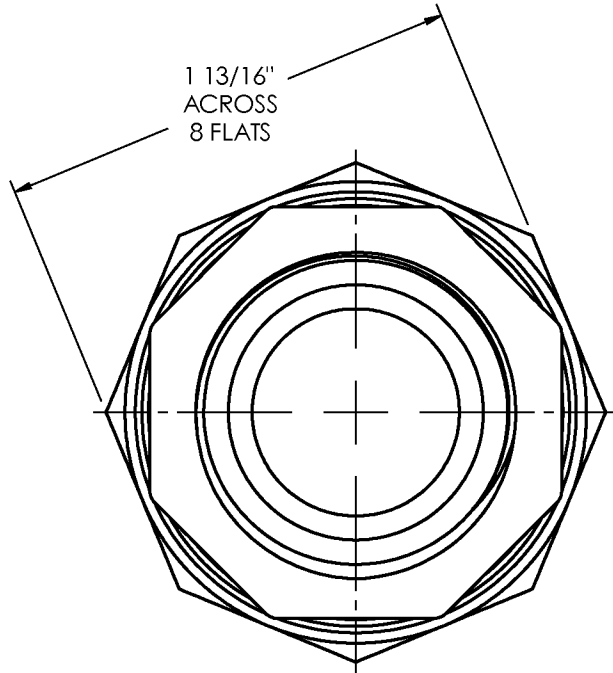


H5211-A-BU

CUSTOMER DWG



1" - 11 1/2 NPSH
FEMALE THREAD

CUSTOMER DWG



The Right Connection™

AGREEMENT TO MAINTAIN CONFIDENTIALITY

This drawing is owned by Dixon Valve & Coupling Co. and shall be returned upon demand. It is loaned on condition that it shall not be copied or reproduced or submitted to others without the owners consent. In accepting it subject to this condition the recipient further agrees that this drawing or any design detail or concept disclosed herein shall not be used in any way detrimental to or in competition with the owner. If the recipient does not agree to the terms of this agreement they shall return this drawing immediately. The information contained in this drawing is subject to change without notice.

REV: H

DIXON VALVE & COUPLING CO.
U. S. A.

TITLE

1" FEMALE FUEL OIL HOLEDALL COUPLING

DRWN BY:

ARP
5/28/10

CHECKED BY:

TFM
06/01/2010

APPROVAL:

JFB
6/2/2010

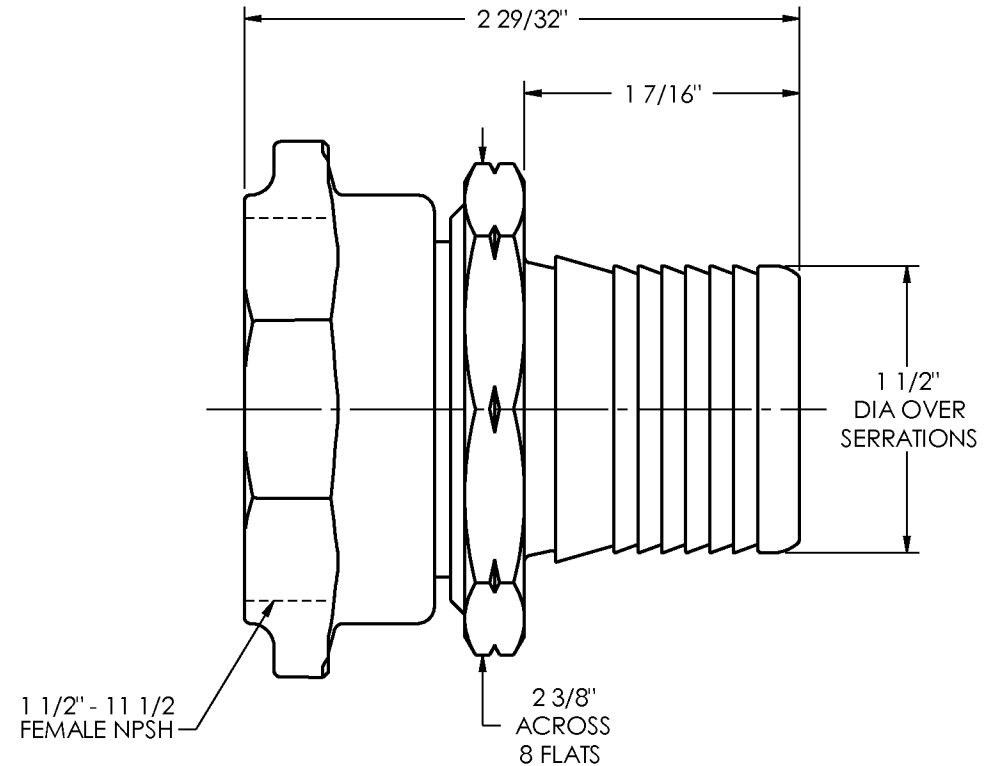
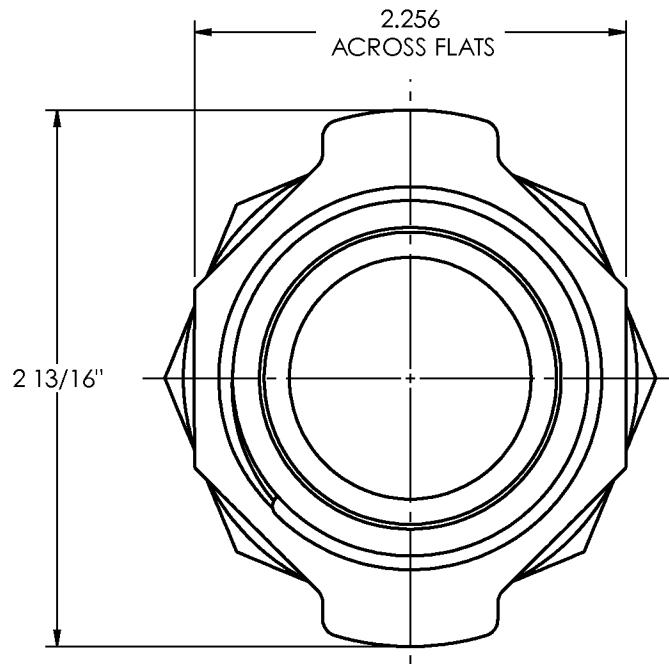
MAT'L:

BRASS

H5211-A-BU

H5231-A-BU

CUSTOMER DWG



CUSTOMER DWG



AGREEMENT TO MAINTAIN CONFIDENTIALITY

This drawing is owned by Dixon Valve & Coupling Co. and shall be returned upon demand. It is loaned on condition that it shall not be copied or reproduced or submitted to others without the owners consent. In accepting it subject to this condition the recipient further agrees that this drawing or any design detail or concept disclosed herein shall not be used in any way detrimental to or in competition with the owner. If the recipient does not agree to the terms of this agreement they shall return this drawing immediately. The information contained in this drawing is subject to change without notice.

REV: K

DIXON VALVE & COUPLING CO. U. S. A.		
TITLE 1 1/2" FEMALE FUEL OIL COUPLING		
DRWN BY: ARP 9/13/10	CHECKED BY: TDJ 9/13/10	APPROVAL: SWE 9-13-10
MAT'L: BRASS		H5231-A-BU